

**NAAMA HOFMAN**  
**LIGHT OBJECTS**



---

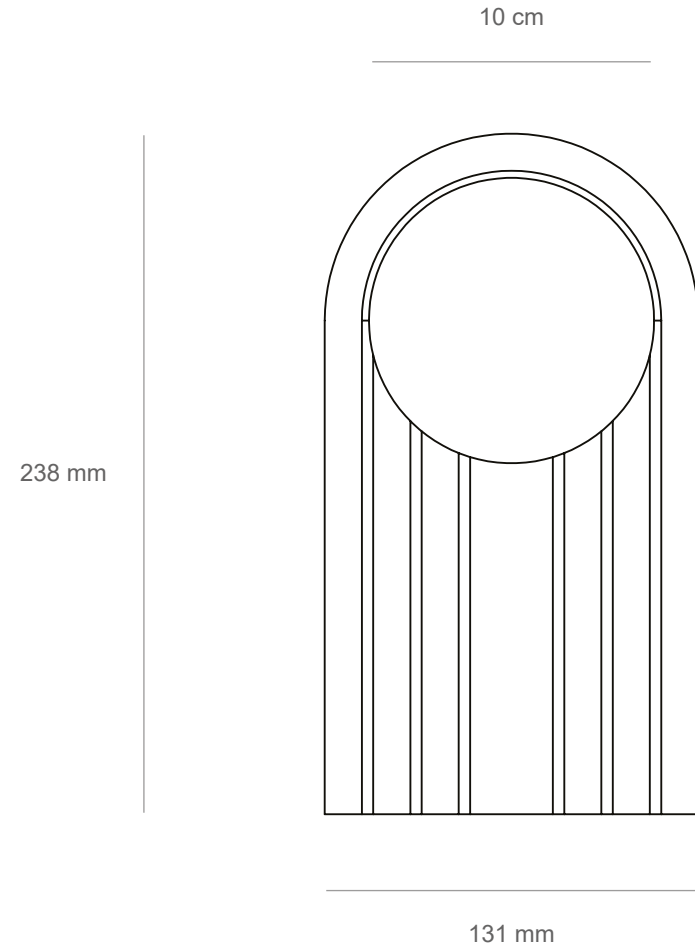
*Wall light object*

Inspired by the Modernist movement, this wall light object complements spaces such as bathrooms, bedrooms and corridors.

# Light Object

technical details

021



Materials: brass palette, glass ball, LED light bulb  
Light: G9 LED light bulb, 50W  
Lumens: 600

Color temperature: 2700K warm white

Dimensions: 131 mm x 238 mm

Brass palette thickness: 4 mm

Distance from wall: 32 mm

Number of light balls: 1

Brass pipe diameter: 10 mm & 36 mm

Canopy diameter: 10 cm

Voltage: 110-240

Assembled by hand in Berlin studio from costume components.

Available finishes: polished brass, natural brass, satin brass

Made to order.

web:  
[www.naamahofman.com](http://www.naamahofman.com)

instagram:  
[@naamahofman](https://www.instagram.com/naamahofman)