

suspension

ETAT-DES-LIEUX

Design by Alexandre Joncas

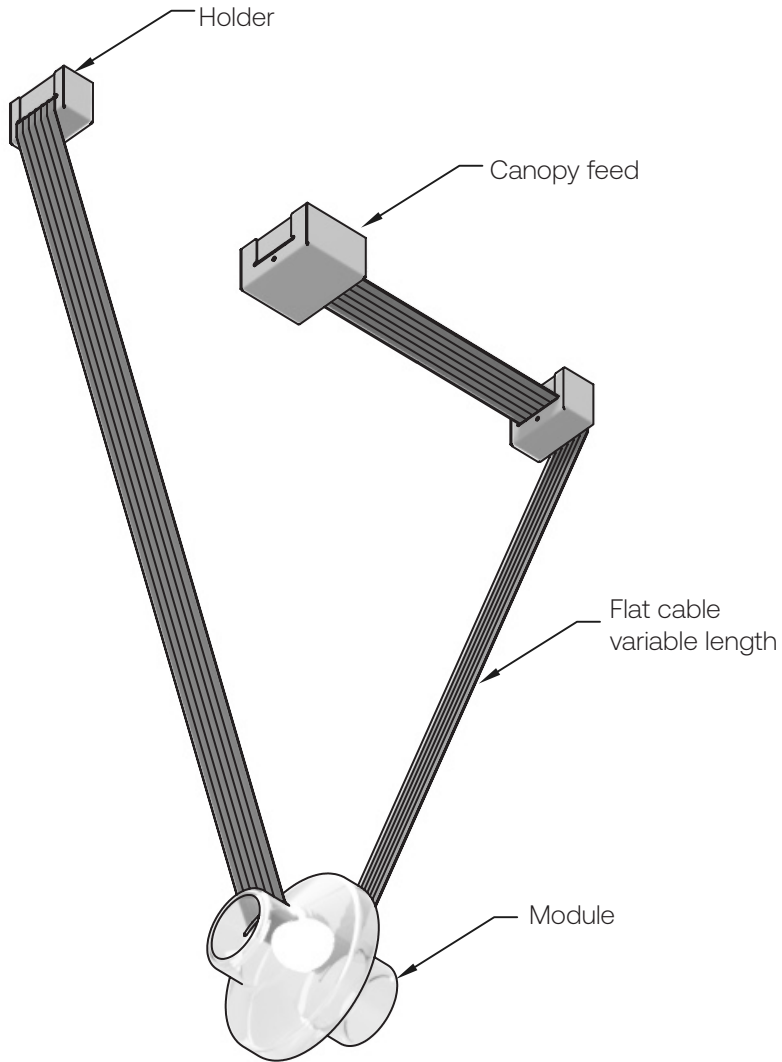
Etat-des-Lieux, a contemporary lighting system defined by its variable silhouette, pays homage to the scenic Laurentian mountains and their majestic reflections in nearby waters. Engineered using innovative design and unique technical savvy, the timeless geometric installation inspired by the beauty of the landscape, is infused with precision and poetry.

Clean-lined and aesthetically spare, the versatile structure can be configured according to the demands of any space it inhabits, whether public or residential. Starting from a base foundation of one light point, Etat-des-Lieux can be arranged in countless ways, growing in space in any orientation, it can include multitudinous light modules to create a monumental and striking centrepiece.

Hollowed light points with soft rounded edges, available in five various mood-setting tints of glass, hang from flat straps that can be adjusted to the desired length. Playful and unconventional, it also allows for an orientation of the light beam, either up or down, setting a mystifying atmosphere.



ETAT-DES-LIEUX suspension - composition



ETAT-DES-LIEUX suspension - composition suite

Module / Light engine :

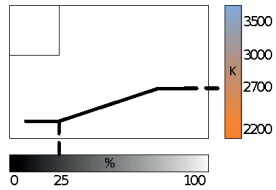
The light engines is composed of a led board, aluminum heatsink and a glass frosted diffuser fixed along the flat cable, it can be either direct or indirect. Enclosure is made of handmade blownglass. It uses the technology Dim to warm or can simply be preset to a fix color temperature.

Lamping specifications

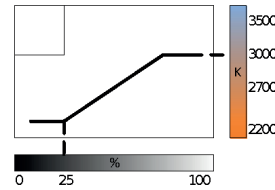
LED CCT

- 2700K fix or dim to warm at 2200K
- 3000K fix or dim to warm at 2200K
- 3500K fix or dim to warm at 2200K
- 4000K fix only

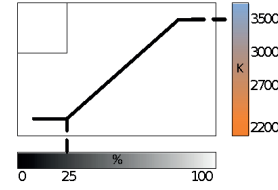
Dim to warm
2700K to 2200K



Dim to warm
3000K to 2200K



Dim to warm
3500K to 2200K



**other fix CCT available upon request*

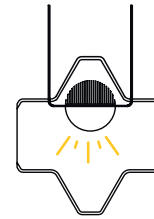
CRI: 93

1288 Lumens/Module

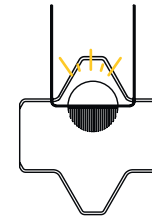
9.7 Watts/Module

Light emission

Direct



Indirect



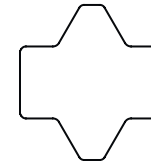
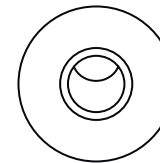
**Direct & Indirect offered for configurations with more than 1 module.*

Glass diffuser color

- Clear Grey
- Clear transparent
- Clear pink
- Clear amber
- Frosted Grey
- Frosted Transparent
- Frosted pink
- Frosted Amber
- Custom

Ø 28 cm
Ø 11 in

26 cm
10 in



13 cm
5 1/8 in



ETAT-DES-LIEUX suspension - composition suite 2

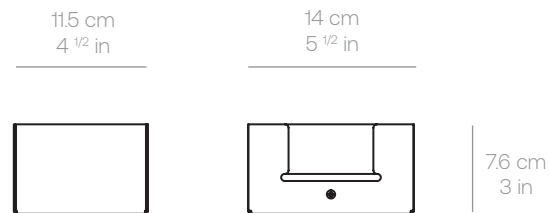
Canopy :

Mounted on a regular junction box. Aluminum clear anodized finish.

Driver specifications

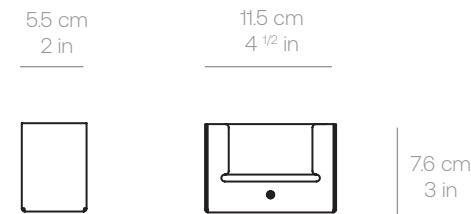
cULus : 120V dimming 0-10V /Triac (only 120V)* /ELV
 CE : 220V-240V dimming 0-10V /Dali /ELV*

*see page with recommended wall dimmer



Cable holder :

Used to hold the module in line.



Flat cable :

The extruded black matt polyurethane strap is all in one the electrical conductor and support of the module. Length adjustable on site.



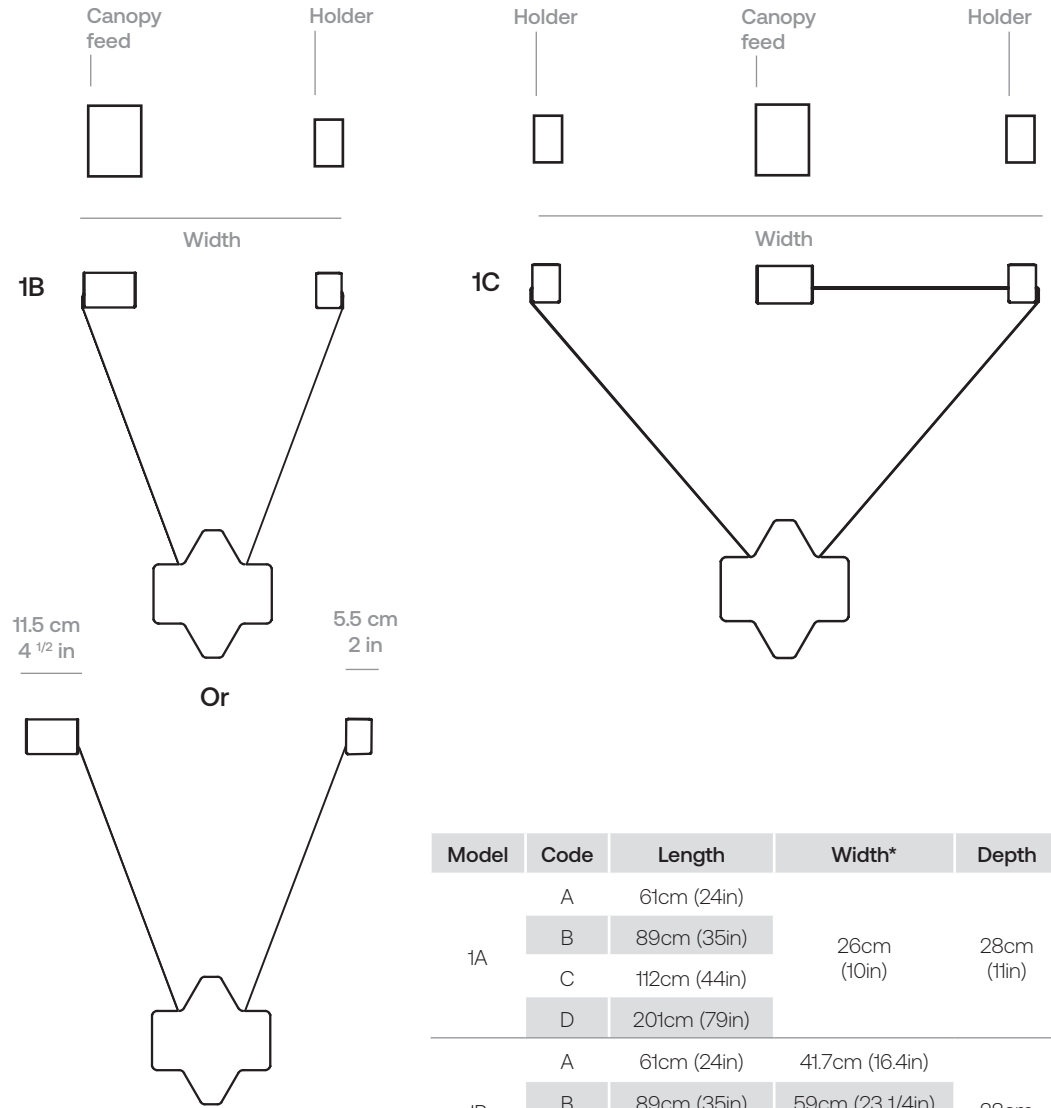
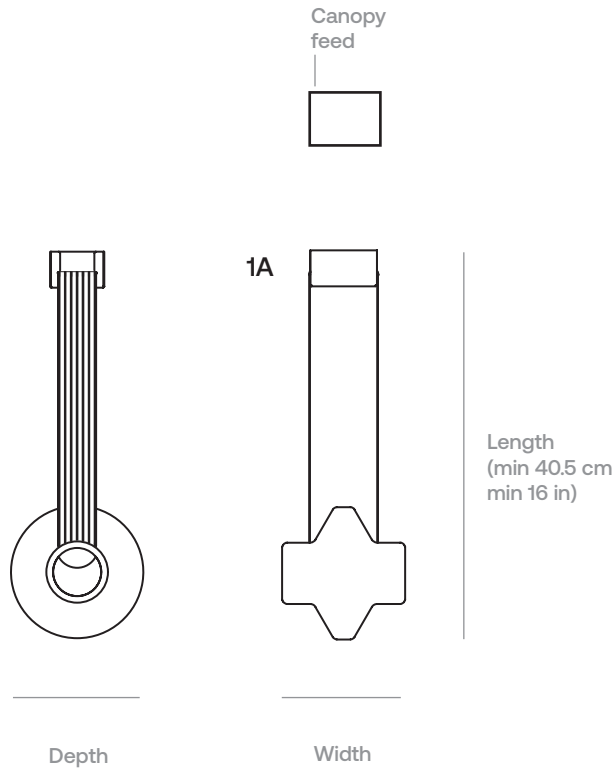
Voltage	Model	Wattage Input	lumen source	Phase dim	ELV	0-10V	DALI
120V	1	9,7W	1288lm	x	x	x	x
	2	19,4W	2576lm	x	x	x	x
	3	27,2W	3578lm	x	x	x	x
220V/240V	1	9,7W	1288lm		x	x	x
	2	19,4W	2576lm		x	x	x
	3	27,2W	3578lm		x	x	x



ETAT-DES-LIEUX suspension - 1A / 1B / 1C

Configurations :

Different configurations available for quick ordering code, place multiple configuration together to create your own design. For custom design and to better fit your needs, see Etat-des-Lieux system spec sheet.

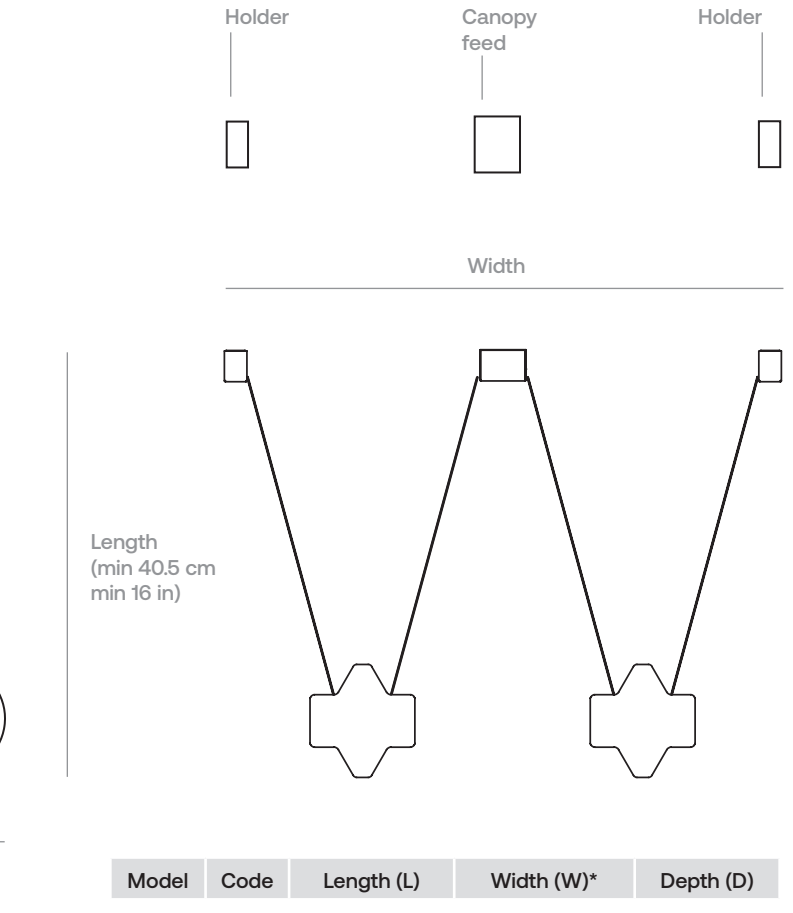
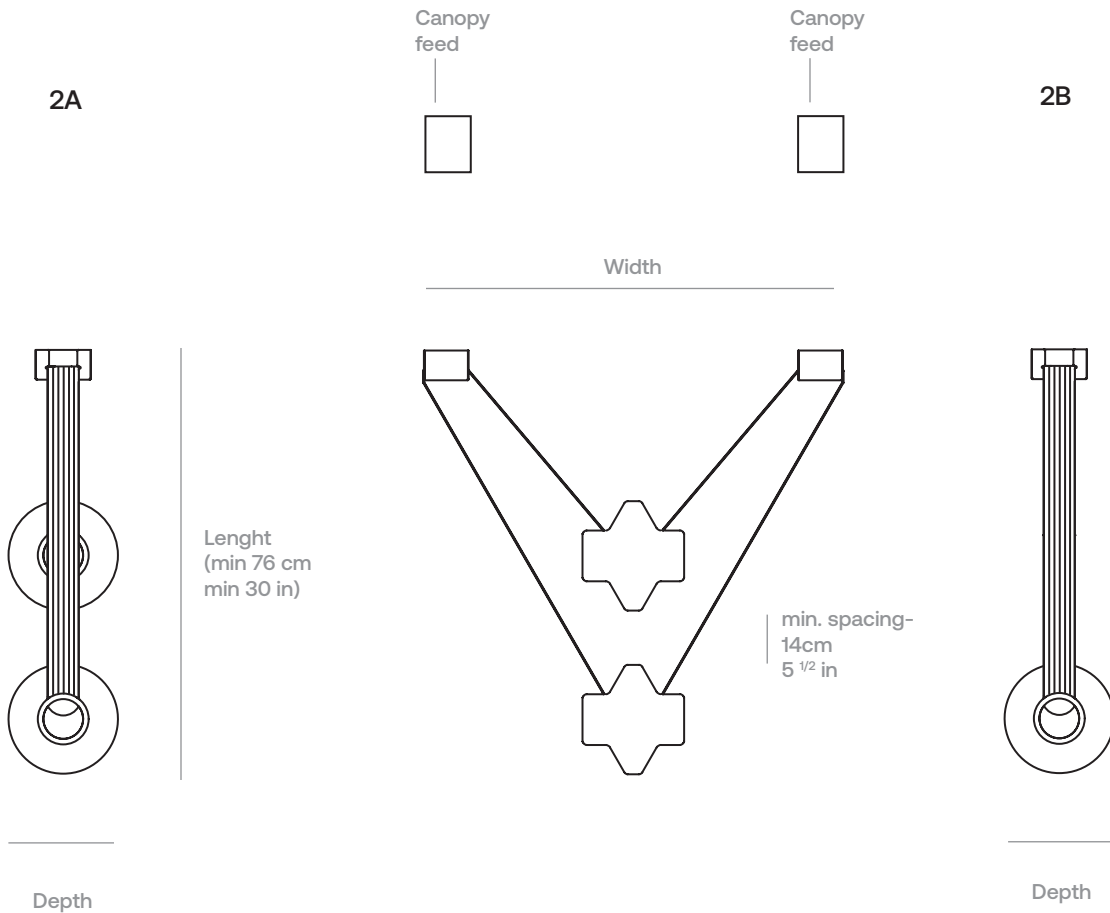


Model	Code	Length	Width*	Depth
1A	A	61cm (24in)		
	B	89cm (35in)	26cm (10in)	28cm (11in)
	C	112cm (44in)		
	D	201cm (79in)		
1B 1C	A	61cm (24in)	41.7cm (16.4in)	
	B	89cm (35in)	59cm (23 1/4in)	28cm (11in)
	C	112cm (44in)	78cm (30 3/4in)	
	D	201cm (79in)	151.6cm (59.7in)	

*Width is calculated with canopy and support installed inside the strap.

**The dimensions are calculated with an angle of 45 deg. Length of strap can only be shorten on site unless custom dimensions are provided.

ETAT-DES-LIEUX suspension - configuration 2A / 2B

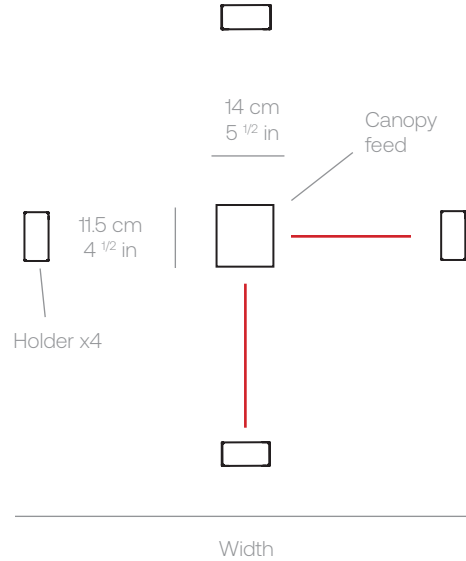


Model	Code	Length (L)	Width (W)*	Depth (D)
2A	B	89cm (35in)	64.7cm (25.5in)	28cm (11in)
	C	112cm (44in)	83.8cm (33in)	
	D	201cm (79in)	157.5cm (62in)	
2B	A	61cm (24in)	94.8cm (37.3in)	28cm (11in)
	B	89cm (35in)	141cm (55.5in)	
	C	112cm (44in)	179cm (70.5in)	
	D	201cm (79in)	326cm (128.4in)	

*Width is calculated with canopy and support installed inside the strap.
 **The dimensions are calculated with an angle of 45 deg. At installation on site angle can be smaller but not wider. Length of strap can only be shorten unless custom dimensions are provided.



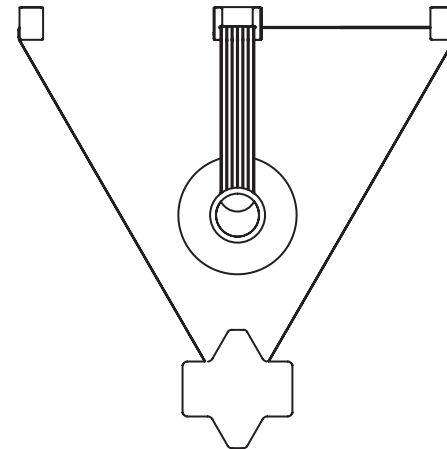
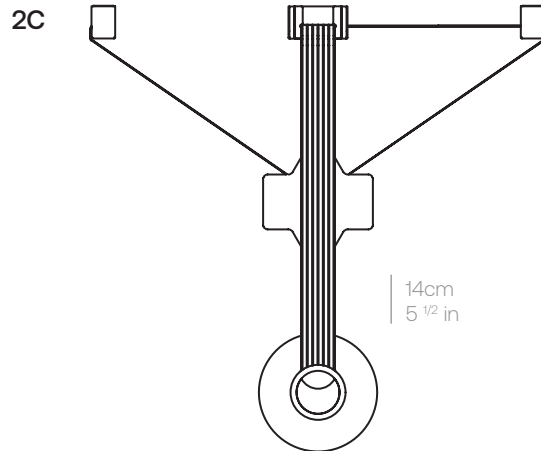
ETAT-DES-LIEUX suspension - configuration 2C



Model	Code	Length (L)	Width (W)*	Depth (D)
	B	89cm (35in)	64.3cm (25.3in)	29.7cm (11.7in)
2C	C	112cm (44in)	83.3cm (32.8in)	48.3cm (19in)
	D	201cm (79in)	157cm (61.8in)	122cm (48in)

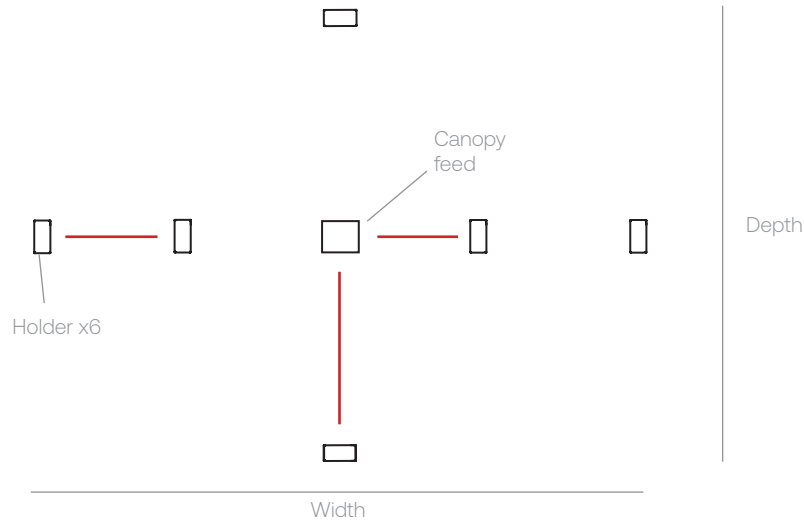
*Width is calculated with canopy and support installed inside the strap.

**The dimensions are calculated with an angle of 45 deg. At installation on site angle can be smaller but not wider. Length of strap can only be shorten unless custom dimensions are provided.



Length
(min 76 cm
min 30 in)

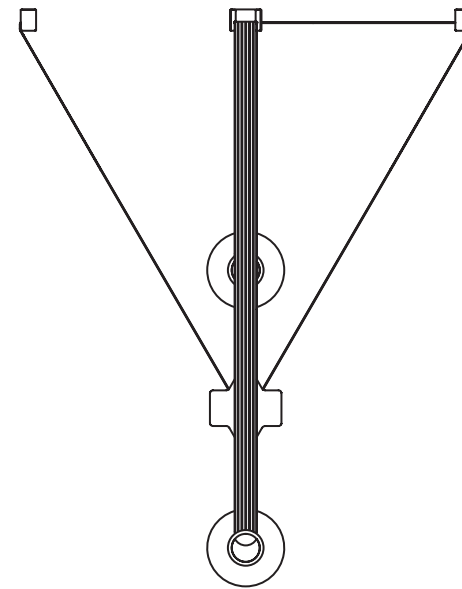
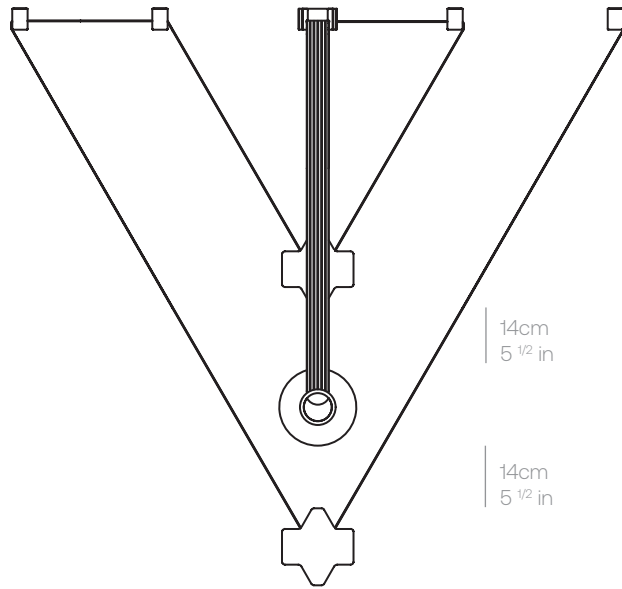
ETAT-DES-LIEUX suspension - configuration 3A



Model	Code	Length (L)	Width (W)*	Depth (D)
3A	C	140cm (55in)	106.7cm (42in)	71.6cm (28.2in)
	D	201cm (79in)	157cm (61.8in)	122cm (48in)

*Width is calculated with canopy and support installed inside the strap.

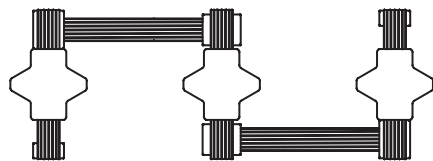
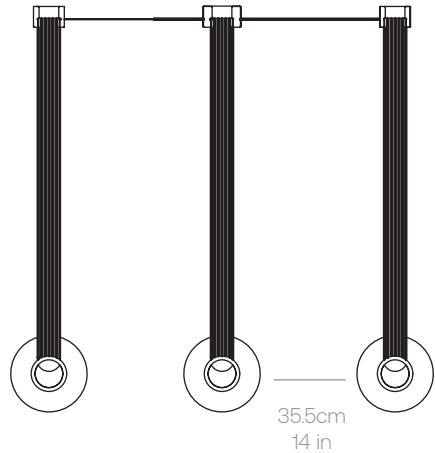
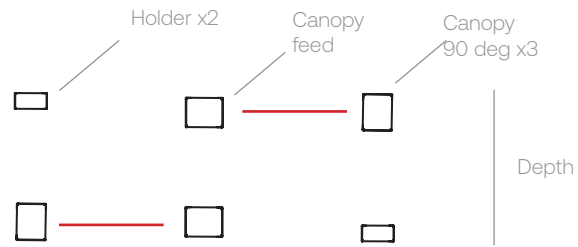
**The dimensions are calculated with an angle of 45 deg. At installation on site angle can be smaller but not wider. Length of strap can only be shorten unless custom dimensions are provided.



Length
(min 112 cm
min 44 in)



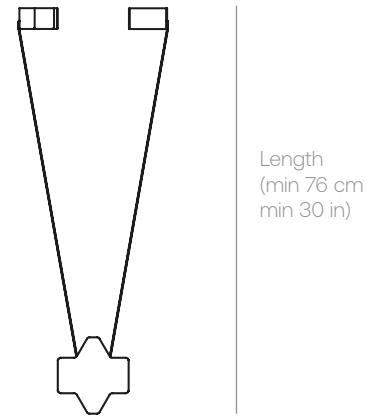
ETAT-DES-LIEUX suspension - configuration 3B



Model	Code	Length (L)	Width (W)*	Depth (D)
3B	A	61cm (24in)	152.4cm (60in)	41.7cm (16.4in)
	B	89cm (35in)		59cm (23 1/4in)
	C	112cm (44in)		78cm (30 3/4in)
	D	201cm (79in)		151.6cm (59.7in)

*Width is calculated with canopy and support installed inside the strap.

**The dimensions are calculated with an angle of 45 deg. At installation on site angle can be smaller but not wider. Length of strap can only be shorten unless custom dimensions are provided.

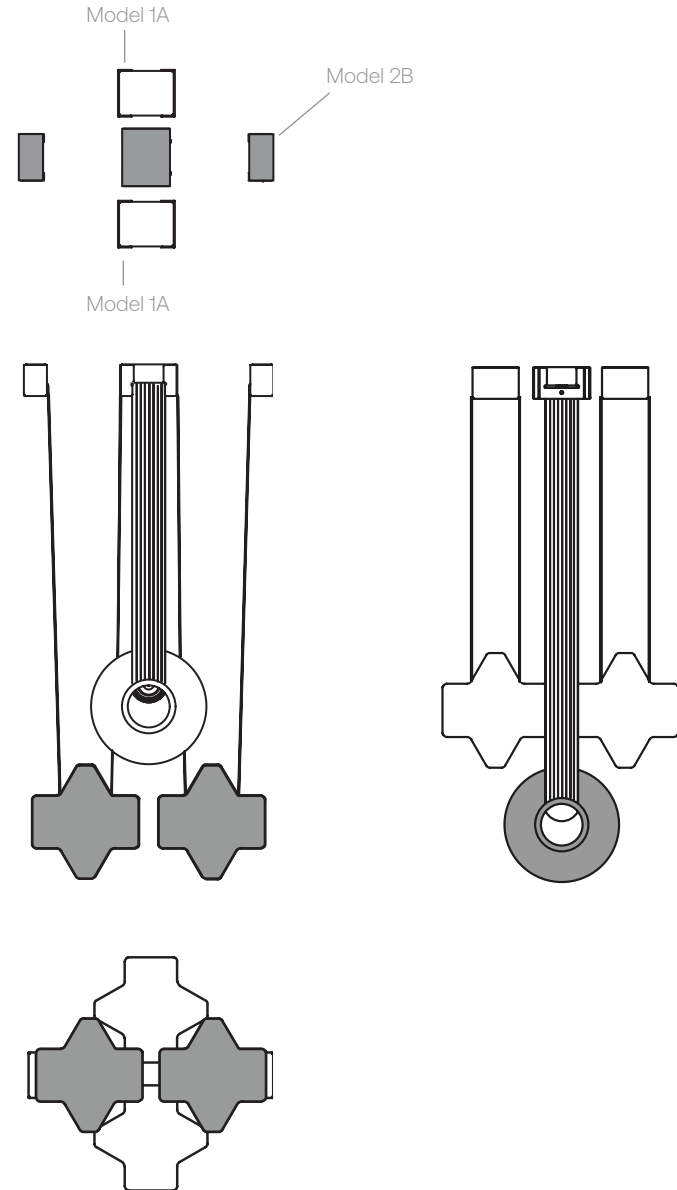


ETAT-DES-LIEUX suspension - multiple configurations

Configurations:

Place multiple configurations together to create your own design.
1x 2B + 2X 1A

Exemple shown below is one of many ways possible.
For complete custom design and to better fit your needs see
État des Lieux system sheet



ETAT-DES-LIEUX suspension - dimensions

Model	variations	Code	Length	Width*	Depth
1	A	A	61cm (24in)		
		B	89cm (35in)	26cm (10in)	28cm (11in)
		C	112cm (44in)		
		D	201cm (79in)		
	B C	A	61cm (24in)	41.7cm (16.4in)	
		B	89cm (35in)	59cm (23 1/4in)	28cm (11in)
		C	112cm (44in)	78cm (30 3/4in)	
		D	201cm (79in)	151.6cm (59.7in)	
2	A	B	89cm (35in)	64.7cm (25.5in)	
		C	112cm (44in)	83.8cm (33in)	28cm (11in)
		D	201cm (79in)	157.5cm (62in)	
		A	61cm (24in)	94.8cm (37.3in)	
	B	B	89cm (35in)	141cm (55.5in)	28cm (11in)
		C	112cm (44in)	179cm (70.5in)	
		D	201cm (79in)	326cm (128.4in)	
		B	89cm (35in)	64.3cm (25.3in)	29.7cm (11.7in)
C	C	112cm (44in)	83.3cm (32.8in)	48.3cm (19in)	
	D	201cm (79in)	157cm (61.8in)	122cm (48in)	
	A	C	140cm (55in)	106.7cm (42in)	71.6cm (28.2in)
	D	201cm (79in)	157cm (61.8in)	122cm (48in)	
3	A	A	61cm (24in)		41.7cm (16.4in)
		B	89cm (35in)	152.4cm (60in)	59cm (23 1/4in)
		C	112cm (44in)		78cm (30 3/4in)
		D	201cm (79in)		151.6cm (59.7in)



*Width is calculated with canopy and support installed inside the strap.

**The dimensions are calculated with an angle at 45 deg. At installation on site angle can be smaller but not wider. Length of strap can only be shorten unless custom dimensions are provided.














ETAT-DES-LIEUX suspension

Light emission	Direct, Indirect or Direct & Indirect*
CCT	LED Dim to warm 2700K to 2200K LED Dim to warm 3000K to 2200K LED Dim to warm 3500K to 2200K LED Fix 2700K / 3000K / 3500K / 4000K
CRI	≥93
Lumen output	1288lm/ module
Ratings	120V dim 0-10V /Phase-dim/ ELV 220V-240V dim 0-10V / Dali / ELV
Strap	Flat black polyurethane
Certifications	IP20   *pending

Glass diffuser color

-  Clear Grey
-  Clear transparent
-  Clear pink
-  Clear amber

-  Frosted Grey
-  Frosted Transparent
-  Frosted pink
-  Frosted Amber
-  Custom

Voltage Input	Model	Wattage input	lumen source	Weight
120V	1	9,7W	1288lm	
	2	19,4W	2576lm	
	3	27,2W	3578lm	
220V/240V	1	9,7W	1288lm	
	2	19,4W	2576lm	
	3	27,2W	3578lm	

Order code Generator	Series	Model	Variations	Finish**	CCT	LED	Emission**	Voltage	Dimension***	QTY
EDL	État des Lieux	1	A	CG	27	FX	D	1	A	
		2	B	CT	30	DX	I	2	B	
		3	C	CP	35		H	3	C	
				CA	40				D	
				FG	ZZ					Z
				FT						
				FP						
				FA						
				ZZ						

Order code :	EDL	---	---	----	----	---	---	---	---	-----
--------------	-----	-----	-----	------	------	-----	-----	-----	-----	-------



*Direct/ Indirect only available for configurations with more than 1 module.
 ** Finish and Emission applies to all modules of the same configuration. Possible to choose different finish and emission on a configuration upon request.
 ***Dimensions see page 11