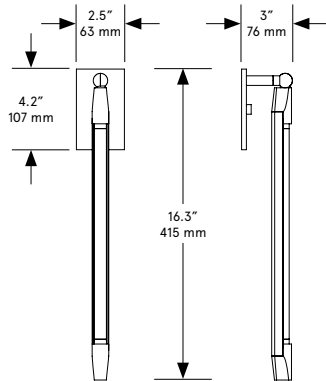
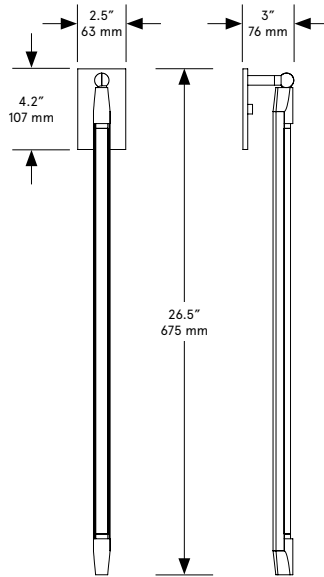


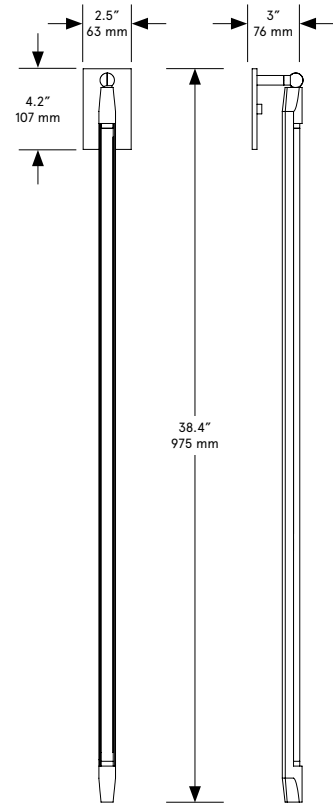
BE C BRITAIN



SHY Sconce 1'



SHY Sconce 2'



SHY Sconce 3'

SHY Sconces

Lead Time

10 - 12 weeks Standard Finish
14 - 16 weeks Special Order

Dimensions

Indicated in the drawings above

Weight

1': 2.8 lb / 1.3 kg
2': 3 lb / 1.4 kg
3': 3.5 lb / 1.6 kg

LED Illumination

24 VDC T5 LED tube
2700 Kelvin
90 CRI

Installation - Standard

Remote: Backplate mounts directly to standard US single gang box
Local: Refer to installation diagram

Backplate

Remote: 2.5 x 4.2 inch / 63 x 107 mm in matching metal finish
Local: 3 x 12.5 inch (76 x 317 mm) in matching metal finish at additional cost

Electrical - Total

Wattage: 3 / 6 / 9 Watt
Lumens: 240 / 480 / 720
110 - 240 VAC
277 VAC upon request

0-10V dimming upon request

Diffusers available at additional cost

ETL listed to UL, CE, and CSA standards
Suitable for damp locations

Materials

Finished Brass

Standard Finishes

Brushed Brass
Oil-Rubbed Bronze
Satin Nickel
Nickel Brass Contrast
Polished Nickel

Special Order Finishes

Polished Brass
Medium Antique Brass
Dark Pewter
Polished Black Nickel
Polished Copper
Smoky Copper