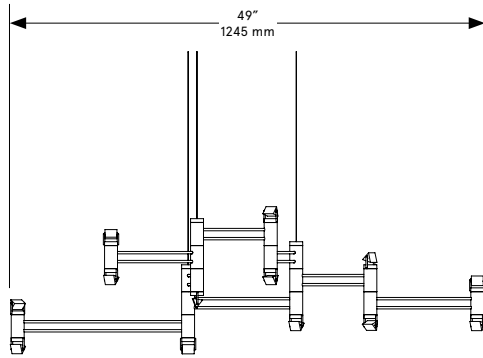
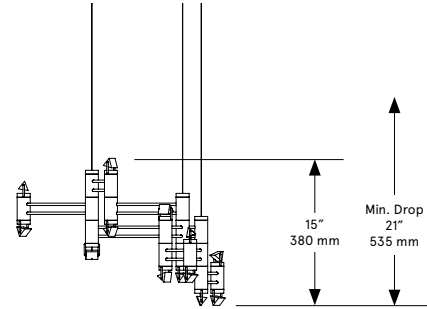


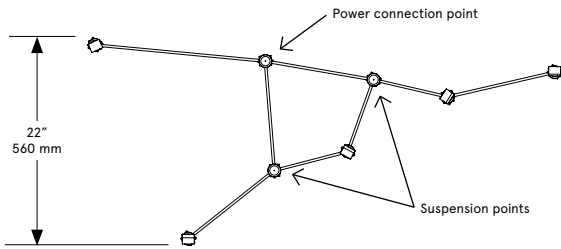
BE CB RIT TAIN



FRONT



SIDE



PLAN

Aries VIII.I (8.1)

Lead Time

14 - 16 weeks

Dimensions

49 inch x 22 inch x 15 inch H
1245 mm x 560 mm x 380 mm H

Weight

6 lb / 2.7 kg

LED Illumination

24 VDC LED PCB
0-10V dimming
2700 Kelvin

Electrical

Wattage: 18.2 Watt
Lumens: 2184 Lumens
110 - 240 VAC
277 VAC upon request

Installation - Standard

Locally mounted driver
120V Dimming: C-L (Lutron) switching
240V Dimming: 0-10V wireless (Lutron Pico)
Canopy: 9.25 x 1.6255 inch (235 x 41 mm) round
in matching metal finish

Installation - Alternate

Remotely mounted driver
120V Dimming: C-L (Lutron) switching
240V Dimming: 0-10V hardwired
Canopy: 5 x 0.25 inch (127 x 6 mm) round
in matching metal finish

Please inquire for detailed electrical specs

Suspension / Wiring

One 24V low voltage power / suspension
cable to electrical connection.
Aircraft cable to ceiling-mounted adjustable
fasteners.
Variable suspension height.

Materials

Finished Aluminum
Clear Glass Prism

Standard Finishes

Brushed Brass
Satin Nickel
Polished Nickel
Dark Pewter
Bronze

Special Order Finishes

Upon request