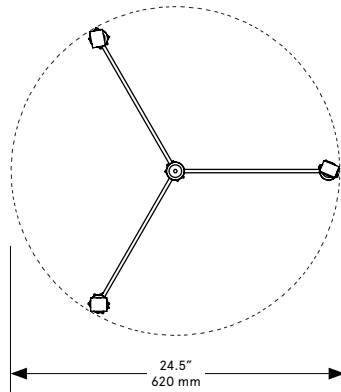
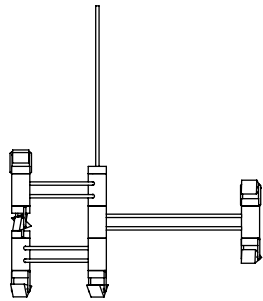
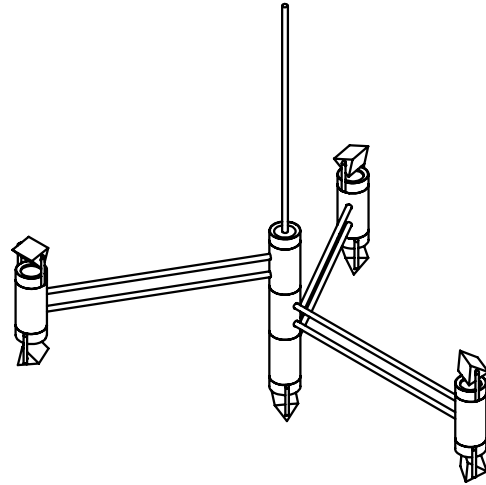


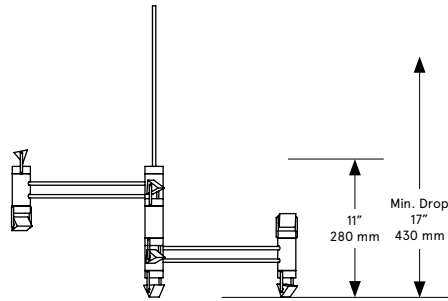
# BEC BRITAIN



PLAN



FRONT



SIDE

## Aries IV.I (4.1)

### *Lead Time*

14 - 16 weeks

### *Dimensions*

24.5 inch diam. x 11 inch H  
620 mm diam. x 280 mm H

### *Weight*

2.5 lb / 0.6 kg

### *LED Illumination*

24 VDC LED PCB  
0-10V dimming  
2700 Kelvin

### *Electrical*

Wattage: 9.8 Watt  
Lumens: 1176 Lumens  
110 - 240 VAC  
277 VAC upon request

### *Installation - Standard*

Locally mounted driver  
120V Dimming: C-L (Lutron) switching  
240V Dimming: 0-10V wireless (Lutron Pico)  
Canopy: 9.25 x 1.6255 inch (235 x 41 mm) round  
in matching metal finish

### *Installation - Alternate*

Remotely mounted driver  
120V Dimming: C-L (Lutron) switching  
240V Dimming: 0-10V hardwired  
Canopy: 5 x 0.25 inch (127 x 6 mm) round  
in matching metal finish

Please inquire for detailed electrical specs

### *Suspension / Wiring*

One 24V low voltage power / suspension  
cable to electrical connection.  
Aircraft cable to ceiling-mounted adjustable  
fasteners.  
Variable suspension height.

### *Materials*

Finished Aluminum  
Clear Glass Prism

### *Standard Finishes*

Brushed Brass  
Satin Nickel  
Polished Nickel  
Dark Pewter  
Bronze

### *Special Order Finishes*

Upon request